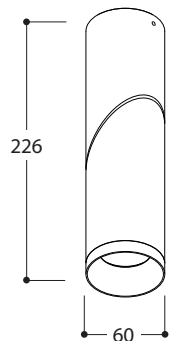
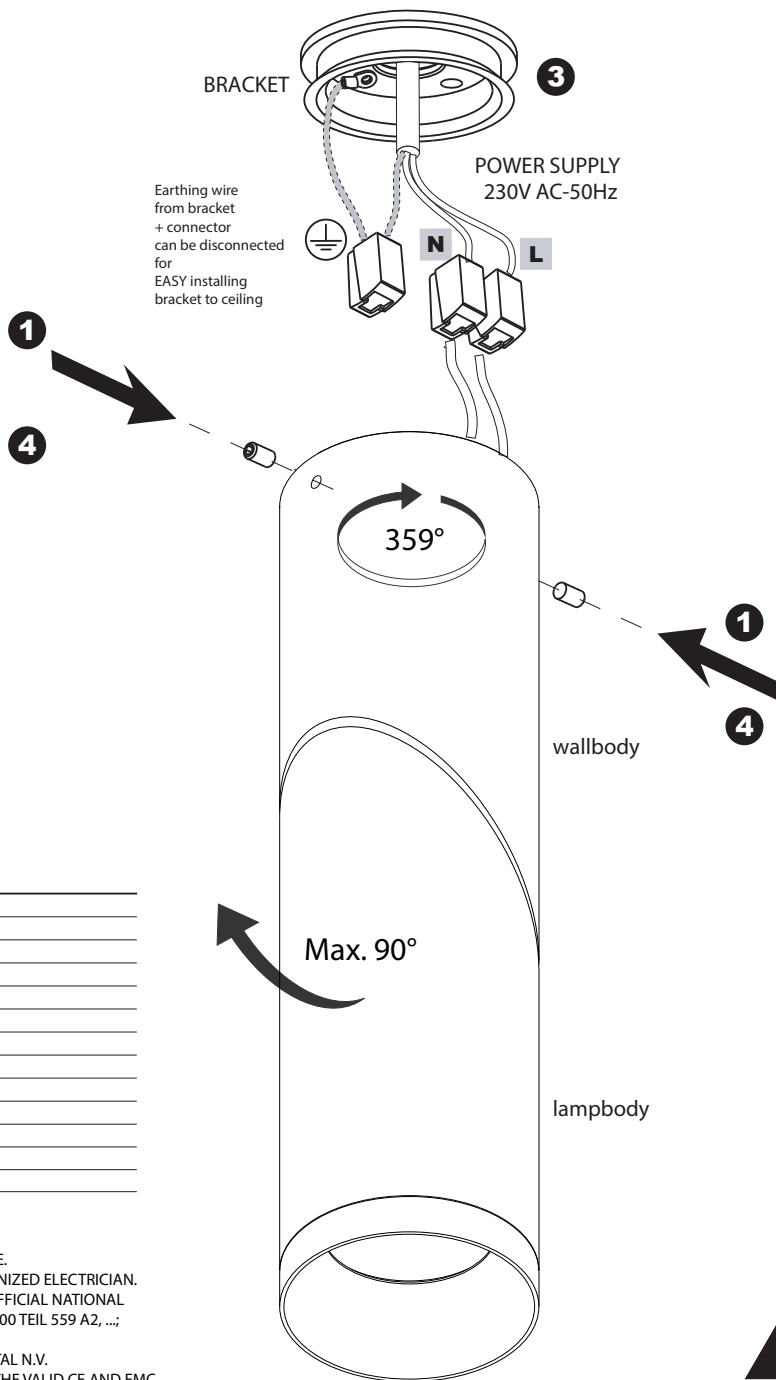


ref name MINI SCOOP DEIMOS CI

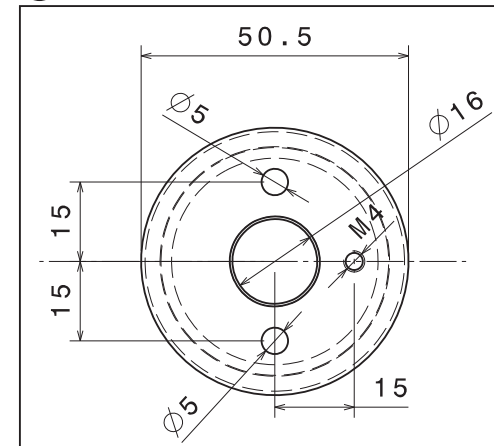
179727	MINI SCOOP LUX M 9° CI 2700K	TEXTURED WHITE
179706	MINI SCOOP LUX M 9° CI 2700K	TEXTURED BLACK
179737	MINI SCOOP LUX M 9° CI 3000K	TEXTURED WHITE
179716	MINI SCOOP LUX M 9° CI 3000K	TEXTURED BLACK
179747	MINI SCOOP LUX M 38° CI 2700K	TEXTURED WHITE
179726	MINI SCOOP LUX M 38° CI 2700K	TEXTURED BLACK
179757	MINI SCOOP LUX M 38° CI 3000K	TEXTURED WHITE
179736	MINI SCOOP LUX M 38° CI 3000K	TEXTURED BLACK
179767	MINI SCOOP LUX M 60° CI 2700K	TEXTURED WHITE
179746	MINI SCOOP LUX M 60° CI 2700K	TEXTURED BLACK
179777	MINI SCOOP LUX M 60° CI 3000K	TEXTURED WHITE
179756	MINI SCOOP LUX M 60° CI 3000K	TEXTURED BLACK



safe distance to object	- 0.1 m -
lamptype	LUX M (755lm/810lm* - 2700K/3000K* - CRI 80 - SDCM 3)
fitting	none
power	7,84W
voltage	230V AC (50Hz)
symbol	
gear	Convertor incl.
ip/class	IP20 - CLASS1
application	Wall, ceiling mounted
orientability	90°-359° orientable
dimmbility	Mains dimmable L,C
weight	0.8
beam angle	9°-38°-60°



2 BRACKET DRILL PATTERN:



- Mounting instructions:
- 1.preparation: partially unscrew 2 screws on the side.
  - 2.fix bracket to wall or ceiling using drill pattern.
  - 3.connect mains power supply. Leave unswitched !
  - 4.move wallbody gently over rozas and fix with 2 screws whilst orienting. (switch on mains power supply.)

INSTALLATION AND MAINTENANCE INSTRUCTIONS IN VIEW OF THE MANUFACTURER'S GUARANTEE.

1. THE CONNECTION AND TESTING OF THE DEVICES SHOULD ALWAYS BE PERFORMED BY A RECOGNIZED ELECTRICIAN.
2. THESE LIGHTING DEVICES NEED TO BE INSTALLED, CONNECTED AND TESTED FOLLOWING THE OFFICIAL NATIONAL INSTRUCTION GUIDE FOR ELECTRICAL INSTALLATIONS (BELGIUM, A.R.E.I., GERMANY: DIN VDE 0100 TEIL 559 A2, ...; THIS ENUMERATION IS JUST AN INDICATION)
3. THIS TECHNICAL ENCLOSURE NEEDS TO BE ADDED TO THE GENERAL SALES CONDITION OF THE TAL N.V.
4. THE ELECTRO TECHNICIAN IS RESPONSABLE TO USE BALLASTS, TRANSFORMERS,...WHICH MEET THE VALID CE AND EMC RULES.



ALWAYS DISCONNECT MAINS POWER SUPPLY FROM CONVERTER BEFORE SWITCHING "ON" LED LUMINAIRE TO PREVENT HOT PLUGGING ISSUES